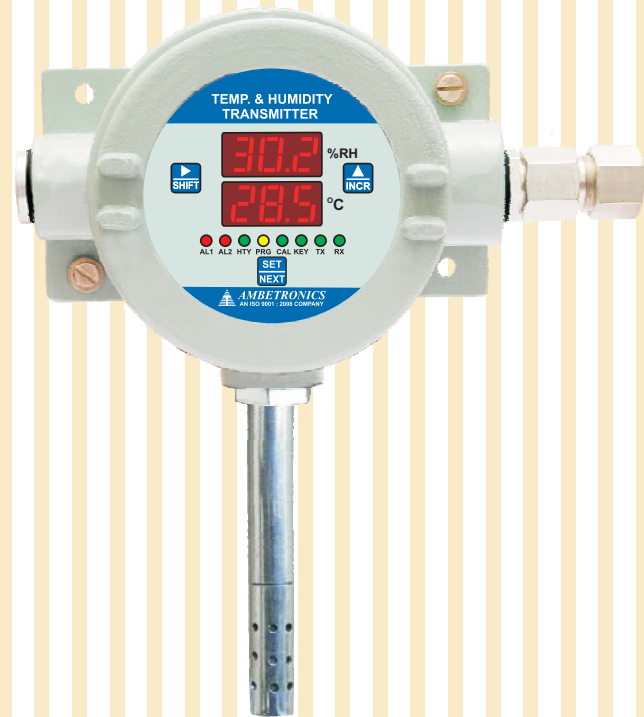


TEMPERATURE & HUMIDITY TRANSMITTER



TRH-554-WP



TRH-554-FLP

Features

- Highly accurate Digital technology sensor gives fast and reliable output.
- Temperature range is -40 to 120°C with accuracy of ± 0.5 °C.
- Relative Humidity range is 0 to 100%RH with accuracy of ± 2 %RH.
- Long term stable output for both Temperature and RH.
- Calculated Dew point measurement based on measurement of Temperature and Humidity.
- User selectable Temperature, RH & Dew point outputs.
- Digital Display of Temperature & RH on Seven Segment Display
- Standard 4-20mA signal outputs with configurable range.
- Easy handling & programming with 3 keys for WP Models.
- Can be programmed using Remote Control upto 10meters line of site distance.
- Non-intrusive programming for Flameproof models using Magnetic Pen.
- Password protected programming with password changing facility.
- Software calibration for both Temperature & Humidity.
- Optional Alarm relay contacts with two configurable Alarm levels & one relay for fail safe relay.
- Optional Range Lock set points can be configured for both Temperature & Humidity.
- Optional RS-485 communication port with MODBUS RTU Protocol.

Applications

- Clean Rooms
- Swimming Pool
- Pharmaceutical
- Hospitals / Labs
- Enthalpy Control
- Museums / Archives
- Refrigeration Control
- Indoor Air Quality (IAQ)
- HVAC / Buildings Controls
- Energy Management System (EMS)

TECHNICAL SPECIFICATIONS

General

Detection Method : Advanced CMOSens Technology.
 Range : For Temperature = -40 to 120°C
 For Relative Humidity = 0 to 100%RH
 Display : 2-Line, 4-Digit 13mm (H) Seven Segment Display.
 8 LEDs to indicate status of instrument.
 Control Action : i) Two independent Alarm set points with Latch &
 Non-latch facility.
 ii) User selectable Hysteresis and Logic option.
 iii) Configurable Range Lock set points for Temp. &
 RH (optional)
 Setting : By 3 Keys on front panel for WP model
 By using Magnetic pen for Flameproof model
 By using Remote Control for WP/FLP model (Optional)

Performance

Measurement Accuracy : ± 0.5°C for Temperature
 ± 2% RH for Relative Humidity
 Response Time : Approx 30 Seconds
 Start-up Time : Approx 30 Seconds.

Electrical

Supply Voltage : 18 to 36 VDC; Typically 24VDC.
 Power Consumption : Less than 3.5 Watts
 Cable : 3 Wires (1.5 mm²) Flexible or Armoured
 Shielded Cable.

Weatherproof Housing

Protection Class : IP-65
 Cabinet Material : Polycarbonate, grey colour
 Cable Entry : Thermoplastic cable gland (IP 68)
 Dimension : 218 mm (H) x 119 mm (W) x 57 mm (D)
 Mounting : Wall Mounting / Stand Mounting/Duct Mounting
 Weight : Approx 400 Grams.

Output Signal

Standard : Two 4-20mA Current Outputs with configurable range
 selection.
 Optional : Three SPDT Relays (one for failsafe and two for Alarm
 Condition) of rating "120VAC/2A, 24VDC/2A"
 Optional : RS-485 Communication port with MODBUS RTU protocol.

Error Monitoring

During Sensor break / open, the Display shows 'SENSOR OPEN' &
 4-20mA output goes down to 3.7mA.

Environmental

Operating Temperature : -40 to +120°C
 Storage Temperature : -50 to +130°C
 Humidity : Less than 95% Non-Condensing.

Accessories (Optional)

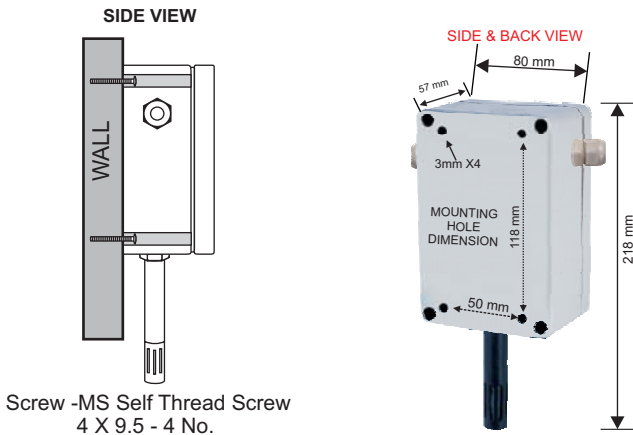
CE certified 24 VDC Power supply.	RS-232 to RS-485 convertor
Canopy Mounting stand.	Hooter Cum Flasher.
SCADA Software.	Remote Control.
RS-485 to USB convertor	

Flameproof Housing

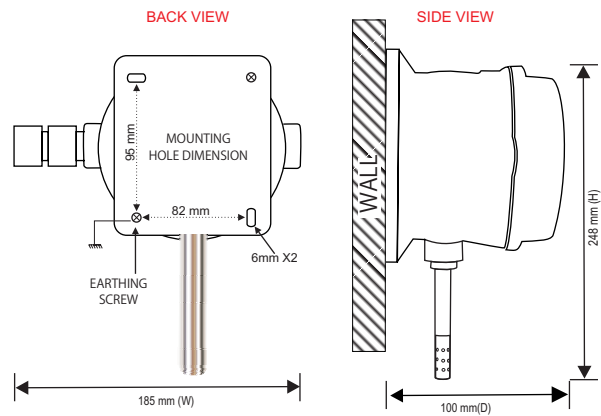
Protection Class : IP-65 for Gas Gr. IIA, IIB & CMRI approved
 enclosure, CCOE(Optional).
 Cabinet Material : Cast Aluminium alloy, LM-6
 Cable Entry : Double compression cable gland (Ex-Proof), 3/4" ET-type
 Dimension : 248 mm (H) x 242 mm (W) x 126 mm (D)
 Mounting : Wall Mounting / Stand Mounting / Duct Mounting
 Weight : Approx 2.0 Kg

DIMENSION

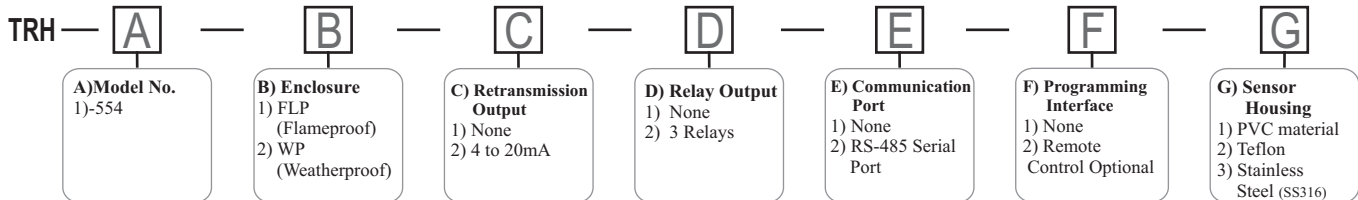
WEATHERPROOF ENCLOSURE DIMENSIONS



FLAMEPROOF ENCLOSURE DIMENSIONS



ORDERING INFORMATION



* Before placing order please Refer the above ordering information or Contact us for assistance.



Ambetronics Engineers Pvt. Ltd.

17-B, Tarun Industrial Estate, Mogra Pada, New Nagardas Road,
 Andheri (East), Mumbai - 400069, India. • Mob.:09324571143
 Tel.: +91-22-66995525, 28371143. • Fax: +91-22-28226570
 E-mail: sales1@ambetronics.com • Web: www.ambetronics.com

DEALERS :