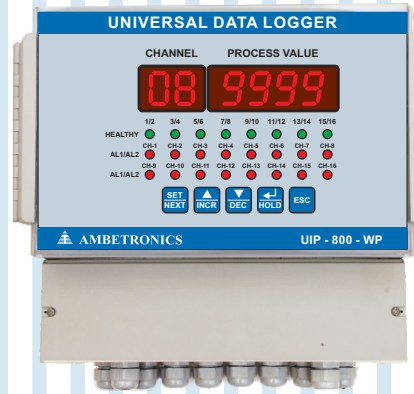


DATA SCANNER / DATA LOGGER



UIP - 800 / UIP - 800D - PMV
PANEL MOUNT



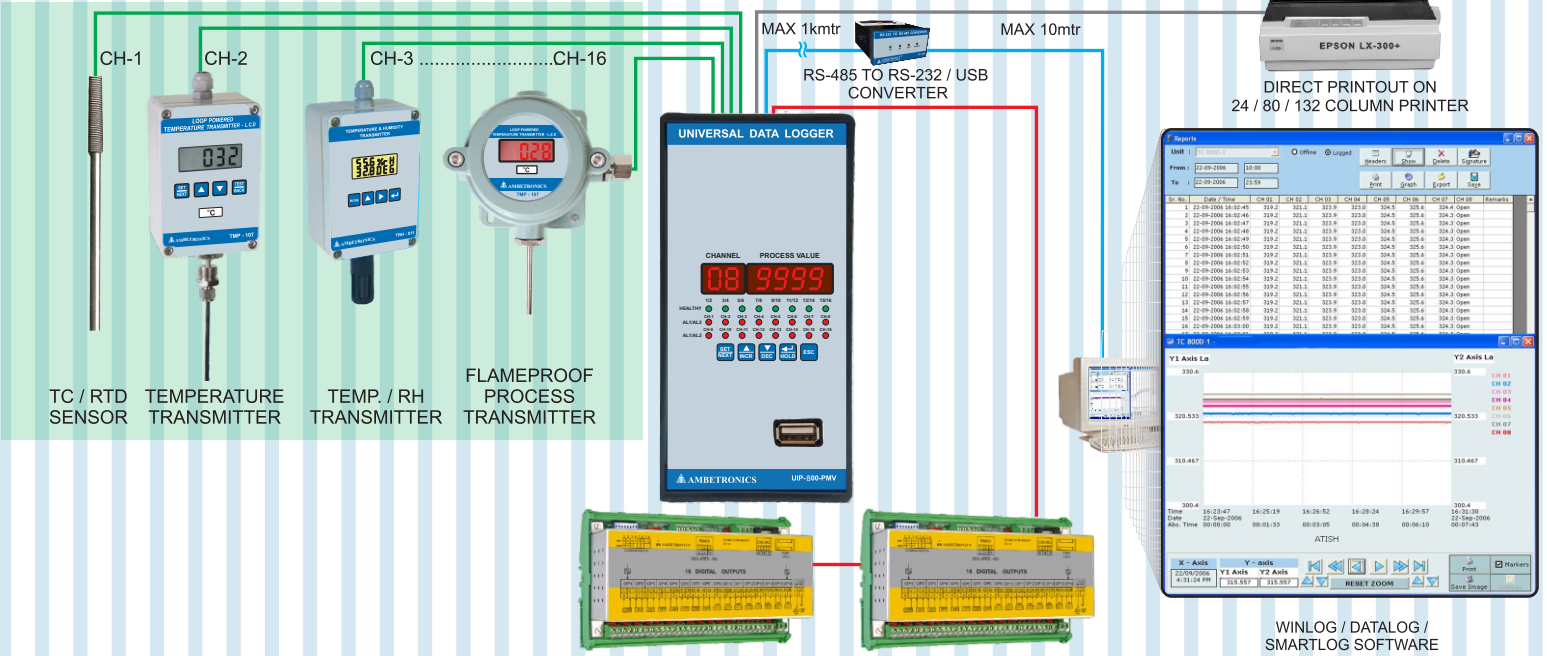
UIP - 800 / UIP - 800D - WP
WEATHERPROOF



UIP - 1600 / UIP - 1600D - FLP
FLAMEPROOF

Remote Area

Safe Area / Control Room



16 / 32 Digital output with grouping facility for alarm and control application

Features

- Used latest micro controller based technology for better accuracy
- 16 Channel Universal input for all thermocouple, J, K, R, S, T, B, N & RTD (PT-100), 4-20mA, user programmable by user.
- Easy on-line field calibration by front panel membrane keypad
- Field programmable channel scan time 1 to 240 sec., Logging interval 1 to 9999sec & Printing Interval 1 to 9999 sec.
- Optional RS-485 Modbus Serial Port
- Optional serial Printing Port

Applications

- ISO Certification records, Validation process certifying
- Pharmaceutical process validation with graph & excel report in Autoclaves
- Online profile recording for Oven & BOD, Incubator, Humidity Chamber
- Winding temperature of generators, Bearings, motors, transformers
- To know heat Profile in furnace, foundries for Heat treatment application
- Primary & auxiliary temperature scanning of boiler
- Chemical & Hazardous area where data monitoring is essential
- Room Mapping in Pharmaceutical

MUST FOR YOUR PROCESS

TECHNICAL SPECIFICATIONS

INPUTS	RANGE		RESOLUTION	ACCURACY
	Minimum	Maximum	NORMAL	FULL SCALE
RTD PT-100	- 99.9°C	400.0°C	0.1	± 0.25%
J - Type (Fe - CON)	0°C	750°C	1	± 0.25%
K - Type (Cr - Al)	0°C	1200°C	1	± 0.25%
R-Type (PT - 13%Rh / PT), S-Type (PT - 10%Rh / PT)	0°C	1750°C	1	± 0.25%
T - Type (Cu / CON)	0 °C	400°C	1	± 0.25%
B-Type (PT 30% Rh / PT 6% Rh)	+400°C	1820°C	1	± 0.25%
N - Type	0°C	1200°C	1	± 0.25%
4 To 20mA	- 999	9999	Programmable by user	± 0.25%

General :

Display : 5 digits of 13 mm height Red L.E.D display for 'Process Value' indication
2 digit of 13 mm height Red L.E.D display for 'Channel Number' indication

Control Action : Low control action for the Alarm 1 & High control action for the Alarm 2

Setting : Setting by 5 feather touch keypad on front panel 'SET/NEXT', 'INCREMENT', 'DECREMENT', 'ENTER/HOLD', 'ESC/ACK' for Panel & WP model and push button keys for Flameproof model.

LED Indication : 32 Nos Red LEDs of 3 mm for each for Alarm1, Alarm 2, Healthy indications for CH-1 to CH-8

Set Point : 2 independent set points for each channel with 4 common relay outputs & Relay can be used common for CH-1 TO CH-8 or can be assign to particular channel also, Programmable by user. programmable latch / non-latch facility for 4 common relays

Relay Output : 1 NO/C/NC Relay Contact Rated 5A/230VAC, 5A/30VAC for Relay-1, Relay-2, Relay-3, Relay-4

Memory : Max. 4000 readings storing capacity for all 8 channel in Data Logger model. Expandable memory depend on pen drive capacity upto 32 GB. data can be visible in ASCII format while downloading in the PC through USB interface

Monitoring of Error Condition : Temperature sensor 'Break / Open' display shows 'bPEr' indication.
Under range 'Undr'. Over range 'oUr' indication for

Performance :

Scan Time : 1 to 240 sec scan time between each channel; programmable by user

Print Interval (Optional) : 1 to 9999 Sec for Direct print out on 80 Column Dot matrix Printer

Logging Interval : 1 to 9999 Sec log interval for data logger model; programmable by user

Electrical :

Supply Voltage : 90 to 270 VAC OR 110 VDC to 270VDC

Environmental :

Operating Temperature : -10°C To 60° C
Relative Humidity : Below 95% non condensing

Optional :

- Isolated RS-485 Serial Port with MODBUS RTU Protocol output.
- Isolated serial port for direct printout on 80 column Dot Matrix printer without need of Computer (PC)
- Data Acquisition Softwares for online graphs & history data reports

Weatherproof Housing :

Protection Class : IP-65
Cabinet Material : Polycarbonate, grey colour
Cable Entry : Thermoplastic cable gland (IP 68)
Dimension : 305 mm (H) x 325 mm (W) x 170 mm (D)
Mounting : Wall Mounting / Stand Mounting
Weight : Approx 3.5 Kg

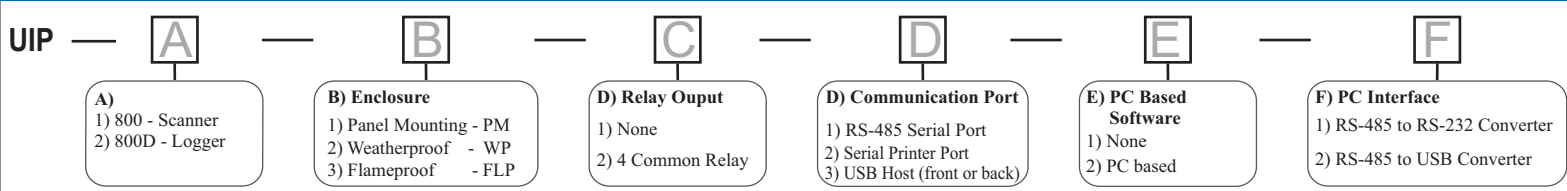
Flameproof Housing :

Protection Class : IP-65, CMRI for IIA & IIB Gas Group
Cabinet Material : Cast Aluminum alloy, LM-6 / C. I. Enclosure
Cable Entry : Double compression cable gland, ¾" ET-type
Dimension : 450 mm (H) x 390 mm (W) x 170 mm (D)
Mounting : Wall Mounting / Stand Mounting
Weight : Approx 15 Kg

Panel Mount Housing :

Protection Class : IP-40
Cabinet Material : ABS Plastic, Black colour
Cable Entry : Terminal Connector for Connection
Dimension : 192 mm (H) x 96 mm (W) x 200 mm (D)
Cutout : 188 mm (H) x 92 mm (W)
Mounting : Panel Mounting
Weight : Approx 1.5Kg

ORDERING INFORMATION



NOTE : For any customize requirement contact factory

Manufactured by :



AMBETRONICS ENGINEERS PVT. LTD.

17-B, Tarun Industrial Estate, Mogra Pada, New Nagardas Road, Andheri (E.) Mumbai - 69, India.
Tel.: +91-22-61673000, 28371143 • Fax : +91-22-28226570 • Mob.: 9324571143
E-mail : sales1@ambetronics.com • sales@ambetronics.com • Website : www.ambetronics.com

Dealers:



Specifications subject to change without any prior notice