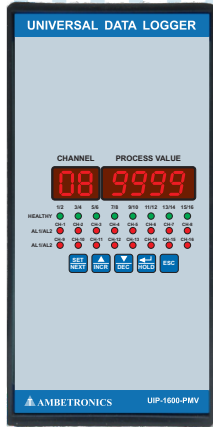
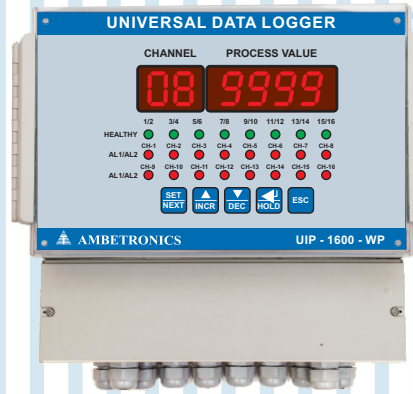


## DATA SCANNER / DATA LOGGER



UIP - 1600 / UIP - 1600D - PM  
PANEL MOUNT



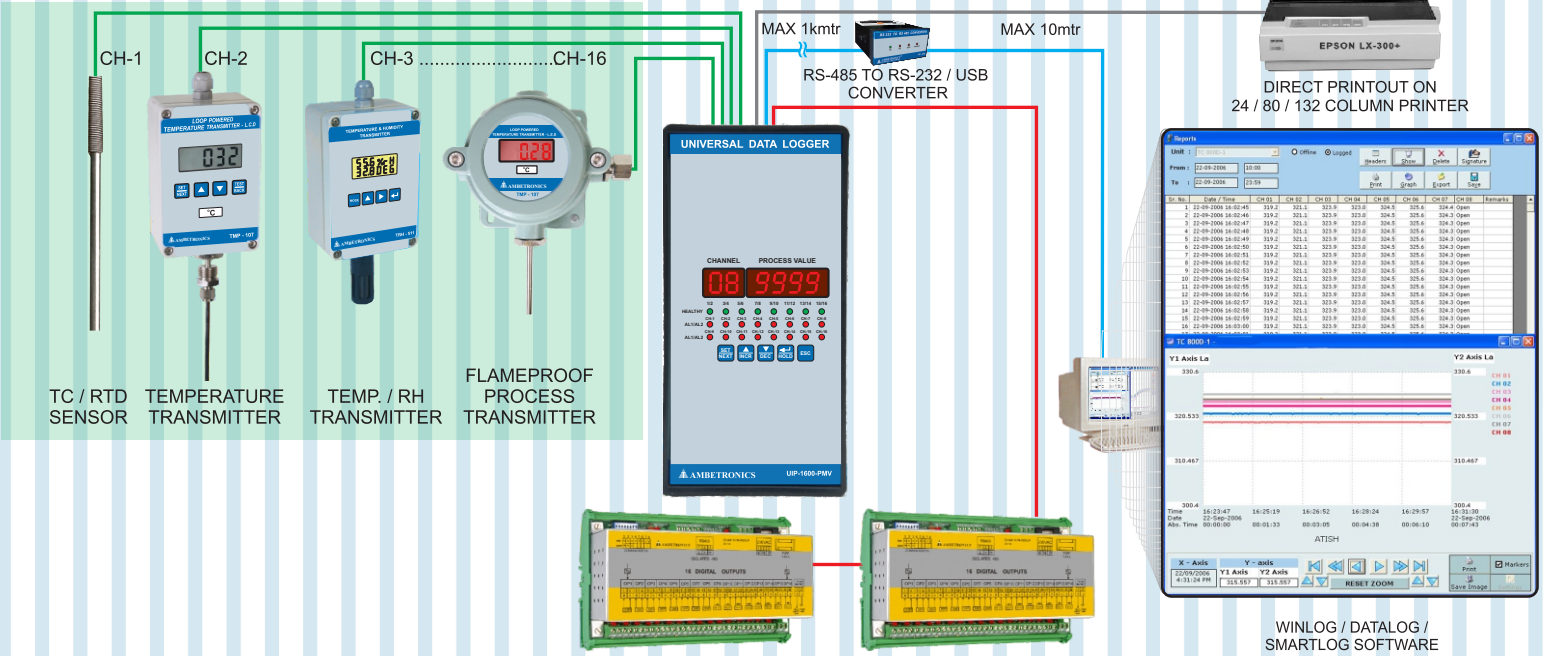
UIP - 1600 / UIP - 1600D - WP  
WEATHERPROOF



UIP - 1600 / UIP - 1600D - FLP  
FLAMEPROOF

Remote Area

Safe Area / Control Room



WINLOG / DATALOG /  
SMARTLOG SOFTWARE

### Features

- Used latest micro controller based technology for better accuracy
- 16 Channel Universal input for all thermocouple, J, K, R, S, T, B, N & RTD (PT-100), 4-20mA, user programmable by user.
- Easy on-line field calibration by front panel membrane keypad
- Field programmable channel scan time 1 to 240 sec., Logging interval 1 to 9999sec & Printing Interval 1 to 9999 sec.
- Optional RS-485 Modbus Serial Port
- Optional serial Printing Port

### Applications

- ISO Certification records, Validation process certifying
- Pharmaceutical process validation with graph & excel report in Autoclaves
- Online profile recording for Oven & BOD, Incubator, Humidity Chamber
- Winding temperature of generators, Bearings, motors, transformers
- To know heat Profile in furnace, foundries for Heat treatment application
- Primary & auxiliary temperature scanning of boiler
- Chemical & Hazardous area where data monitoring is essential
- Room Mapping in Pharmaceutical

# MUST FOR YOUR PROCESS

# TECHNICAL SPECIFICATIONS

INPUTS	RANGE		RESOLUTION	ACCURACY
	Minimum	Maximum	NORMAL	FULL SCALE
RTD PT-100	- 99.9°C	400.0°C	0.1	± 0.25%
J - Type ( Fe - CON )	0°C	750°C	1	± 0.25%
K - Type ( Cr - Al )	0°C	1200°C	1	± 0.25%
R-Type (PT - 13%Rh / PT), S-Type (PT - 10%Rh / PT)	0°C	1750°C	1	± 0.25%
T - Type ( Cu / CON )	0 °C	400°C	1	± 0.25%
B-Type ( PT 30% Rh / PT 6% Rh )	+400°C	1820°C	1	± 0.25%
N - Type	0°C	1200°C	1	± 0.25%
4 To 20mA	- 999	9999	Programmable by user	± 0.25%

### General :

- Display : 5 digits of 13 mm height Red L.E.D display for 'Process Value' indication  
2 digit of 13 mm height Red L.E.D display for 'Channel Number' indication
- Control Action : Low control action for the Alarm 1 & High control action for the Alarm 2
- Setting : Setting by 5 feather touch keypad on front panel 'SET/NEXT', 'INCREMENT', 'DECREMENT', 'ENTER/HOLD', 'ESC/ACK' for Panel & WP model and push button keys for Flameproof model.
- LED Indication : 32 Nos Red LEDs of 3 mm for each for Alarm1, Alarm 2, Healthy indications for CH-1 to CH-8
- Set Point : 2 independent set points for each channel with 4 common relay outputs & Relay can be used common for CH-1 TO CH-8 or can be assign to particular channel also, Programmable by user. programmable latch / non-latch facility for 4 common relays
- Relay Output : 1 NO/C/NC Relay Contact Rated 5A/230VAC, 5A/30VAC for Relay-1, Relay-2, Relay-3, Relay-4
- Memory : Max. 4000 readings storing capacity for all 8 channel in Data Logger model.  
Online PC interface available in Data Logger model
- Monitoring of Error : Temperature sensor 'Break / Open' display shows 'oPEr' indication.  
Under range 'Undr'. Over range 'oEr' indication for RTD & all Thermocouple Inputs

### Environmental :

- Operating Temperature : -10°C To 60° C  
Relative Humidity : Below 95% non condensing

### Optional :

- Isolated RS-485 Serial Port with MODBUS RTU Protocol output.
- Isolated serial port for direct printout on 80 column Dot Matrix printer without need of Computer (PC)
- Data Acquisition Softwares for online graphs & history data reports

### Weatherproof Housing :

- Protection Class : IP-65  
Cabinet Material : Polycarbonate, grey colour  
Cable Entry : Thermoplastic cable gland (IP 68)  
Dimension : 305 mm (H) x 325 mm (W) x 170 mm (D)  
Mounting : Wall Mounting / Stand Mounting  
Weight : Approx 3.5 Kg

### Flameproof Housing :

- Protection Class : IP-65, CMRI for IIA & IIB Gas Group  
Cabinet Material : Cast Aluminum alloy, LM-6 / C. I. Enclosure  
Cable Entry : Double compression cable gland, ¾" ET-type  
Dimension : 450 mm (H) x 390 mm (W) x 170 mm (D)  
Mounting : Wall Mounting / Stand Mounting  
Weight : Approx 15 Kg

### Performance :

- Scan Time : 1 to 240 sec scan time between each channel; programmable by user
- Print Interval (Optional) : 1 to 9999 Sec for Direct print out on 80 Column Dot matrix Printer
- Logging Interval : 1 to 9999 Sec log interval for data logger model; programmable by user

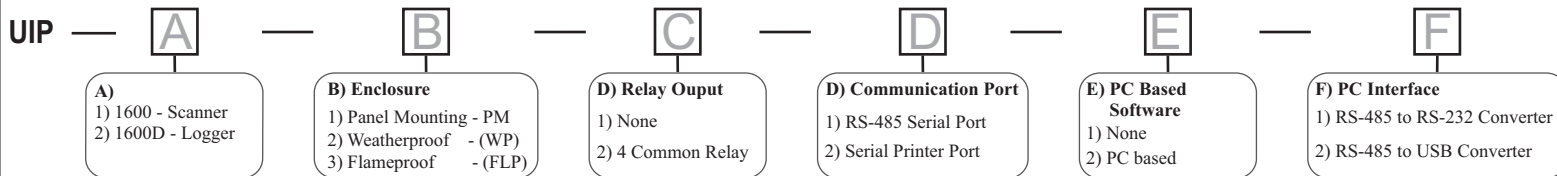
### Electrical :

- Supply Voltage : 90 to 270 VAC OR 110 VDC to 270VDC

### Panel Mount Housing :

- Protection Class : IP-40  
Cabinet Material : ABS Plastic, Black colour  
Cable Entry : Terminal Connector for Connection  
Dimension : 192 mm (H) x 96 mm (W) x 200 mm (D)  
Cutout : 188 mm (H) x 92 mm (W)  
Mounting : Panel Mounting  
Weight : Approx 1.5Kg

## ORDERING INFORMATION



NOTE : For any customize requirement contact factory

Manufactured by :



**AMBETRONICS ENGINEERS PVT. LTD.**

17-B, Tarun Industrial Estate, Mogra Pada, New Nagardas Road, Andheri (E.) Mumbai - 69, India.

Tel.: +91-22-61673000, 28371143 • Fax : +91-22-28226570 • Mob.: 9324571143

E-mail : sales1@ambetronics.com • sales@ambetronics.com • Website : www.ambetronics.com



Dealers: